

National Sukkah Outlet * 20 Brighton Ave * Passaic, NJ 07055 * (973) 778 - 5624

Thank you for purchasing our Gevurah Modular Sukkah System. We hope that your new Sukkah will give you many years of pleasure.

The following is instructions for a four wall Gevurah Modular Sukkah. For a custom sukkah, the parts may differ from the chart below. Each panel consists of a male and female side that interlocks easily. **Please read the instructions fully before beginning construction.**

Parts

Refer to the chart below to ensure that the proper number of parts have been included with your set.

Size	Panels	Door	Corners	Sliders	3" S Brackets	6" S Brackets	Wall Supports	Wall Supports	Schach Supports	(optional) floor channel	XX Bracket
8x8	7	1	3 full/ 2 half	3	8	4	(2) 8'	(2) 7'8"	(2) 10'	4	4
8x10	7+2 short	1	3 full/ 2 half	5	8	6	(2) 10'	(2) 7'8"	(2) 10' or (2) 12'	6	4
8x12	9	1	3 full/ 2 half	5	8	6	(2) 12'	(2) 7'8"	(4) 10' or (3) 14'	6	8
8x16	11	1	3 full/ 2 half	7	8	8	(4) 8' (2) 16'	(2) 7'8"	(4) 10'	8	8
10x10	7+4 short	1	3 full/ 2 half	7	8	8	(2) 10'	(2) 9'8"	(3) 12'	8	6
10x12	9+2 short	1	3 full/ 2 half	7	8	8	(2) 10'	(2) 11'8"	(4) 12'	8	8
10x16	11+2 short	1	3 full/ 2 half	9	8	10	(4) 8' (2) 16'	(2) 9'8"	(4) 12'	10	8
10x20	13+2 short	1	3 full/ 2 half	11	8	12	(4) 10'	(2) 9'8"	(6) 12'	12	12
12x12	11	1	3 full/ 2 half	7	8	8	(2) 12'	(2) 11'8"	(4)14'	8	8
12x16	13	1	3 full/ 2 half	9	8	10	(4) 8' or (2) 16'	(2) 11'8"	(4) 14'	10	8
12x20	15	1	3 full/ 2 half	11	8	12	(4) 10'	(2) 11'8"	(6) 14'	12	12

Parts Description

Wall Panels (included regular panels, window panels and decorative panels)

Sliding Door Panels: A standard Sukkah contains one door panel. If you have purchased additional door panels to replace wall panels, check to ensure the correct number have been included in your shipment.

Corner Brackets: Two-inch-square aluminum metal corners that have both a male and a female side. Each Sukkah comes with three full-height corner brackets and two half-height brackets.

Sliders: Nine-inch by one-and-a-half inch sliders have lips along the length of the backside.

S Brackets: S-shaped aluminum braces come in six-inch (with groove) and three-inch lengths.

Schach Supports: Two-inch by three-inch or two-inch by four-inch wooden beams with notches on the bottom side. These supports are included only if Schach is purchased together with the Gevurah® Modular Sukkah System.

Lower channel: An U shaped channel about six inches long with a groove on one side.

Assembly Instructions

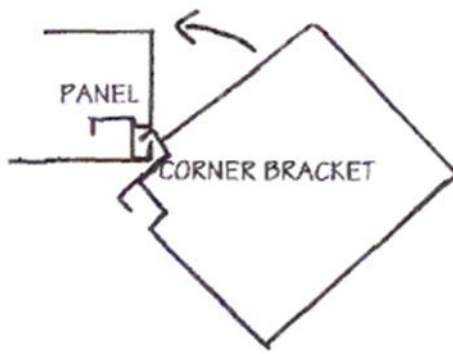
Before you begin: Think about how your Sukkah will stand and where you want the decorative, window and door panels to be placed.

Stand all panels so that the male connector at the end is to your right. Be sure to hold all panels from the outside. (The outside is the side that contains the cross braces supporting the midsection of the panel.) Right and left (male and female) will always be locked from the outside of the panel.

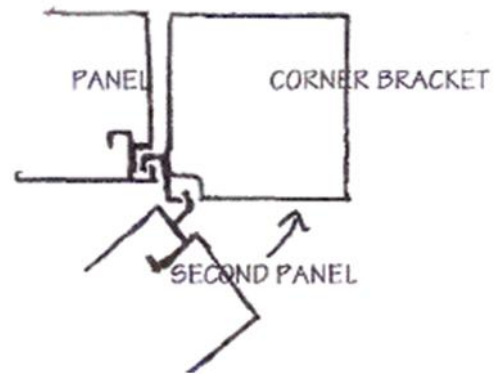


1. Take a full corner bracket and place its male side into the female side of the first panel. Rotate the corner counter-clockwise to fit. Repeat this motion using the male connector of the second panel into the female connector of the corner bracket. You will now have a corner. Although your Sukkah corner will stand by itself, we recommend that you do not allow the Sukkah to remain unsupported until it is completely finished, as it may become damaged.

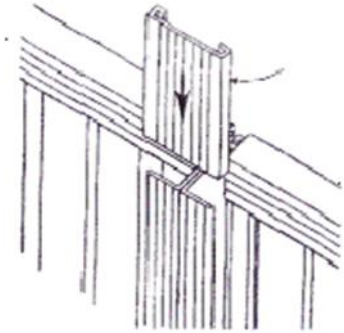
A.



B.



2. Continue building the wall by placing a male slot into a female slot and rotating the panels counter-clockwise to fit. * Place a slider over each two adjoining panels from the outside as illustrated. Note that the door panels do not have a slider connecting them to an adjoining panel.



*. (if you are using optional floor channel, which we recommend in windy areas, slightly lift the panel and place half the channel underneath the panel with the groove out so that the side of the panel sits in the groove. When using the next panel, slightly lift the panel above the lower bracket locking it in and slide it down.

3. When you have completed one wall, place a full corner bracket at the end of the final panel (remembering to connect male to female slots). Continue assembling your Sukkah for the next two walls using steps numbers 1 and 2. When you have assembled the third complete wall, a second person should support that wall while you work on the final side. Assemble final wall in opposite direction (turning female slots over male slots over male slots and turning clockwise.)

4. When the last wall has been completed, take a half-corner bracket and slide it over the top of the corner by placing the male slot into the female slot of the final panel and the female slot of the corner bracket over the male slot of the adjacent corner panel. Slide the half-corner bracket to the bottom of the Sukkah and repeat with the second half. (If you find this step is difficult, check to see that the corner is square. A slight back-and-forth movement of one or both panels should facilitate the final.

5. After completing the walls, place the six-inch S bracket over the top of the Sukkah where each two panels meet. The notch in the S bracket faces the outside of the Sukkah.

6. Finally, place the three-inch S bracket in the same manner near the end of each wall. When completed, lay 2x3 wooden supports inside the S brackets with the wide side facing down. Your Sukkah should now stand independently.

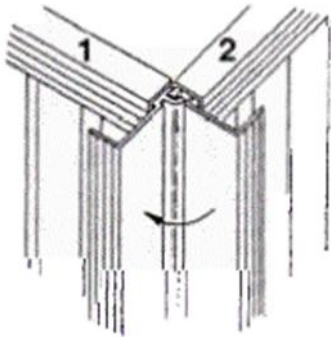
7. If you have purchased Schach with your Sukkah, wooden Schach supports have been included. Place the XX brackets over the top of the walls. For a door panel use an 11 bracket. Place the wooden supports into the brackets.

Notes

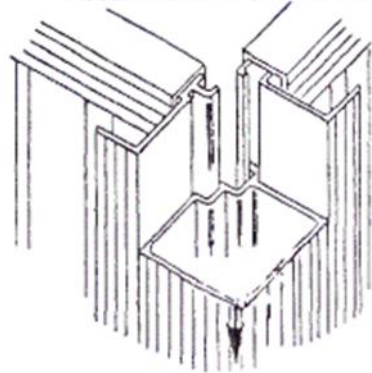
- Very often, Sukkahs are not placed on level surfaces. This can make them seem very shaky. In some cases, placement on non-level surfaces can damage the Sukkah. If your Sukkah is shaky due to an uneven foundation or extreme wind conditions, we recommend that you try tying it to a permanent object. An interlocking support system is available upon special order. Please contact the National Sukkah Outlet to discuss this option.
- Always make sure that the Sukkah is completely dry before disassembling and storing. To disassemble the Sukkah, simply follow these directions in reverse. Remembering to have another person support a corner of the Sukkah once disassembly has begun.
- When storing or handling your Sukkah, always make sure that the panels never rest on the male slots. Damage to the male slots may render the Sukkah panel unusable.
- Panels can be stacked one atop another for storage. Do not place any other objects on top of the Sukkah panels!

If you have any questions about these directions or you experience a problem while assembling, please call the National Sukkah Outlet at 973-778-5624. If the showroom is not open, please leave a detailed message on our answering machine and someone will return your call as soon as possible.

PANEL TO PANEL ASSEMBLY



ASSEMBLY OF LAST CORNER



CORNER ASSEMBLY

